

SPECIFICATIONS FOR POSITANO RETRACTABLE OFFSET PATIO UMBRELLA

Pole: structure and arm in aluminum. Pole section 4.3'x3.5'. Pole rotates 360 degrees in base.

Arm: attached to post acts also as a wind bar and keeps the umbrella canopy more stable in wind.

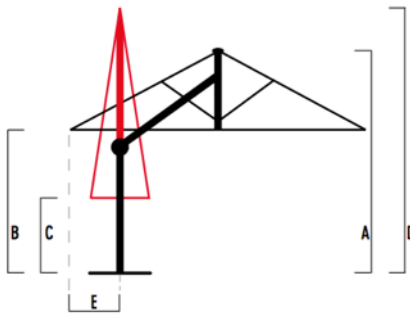
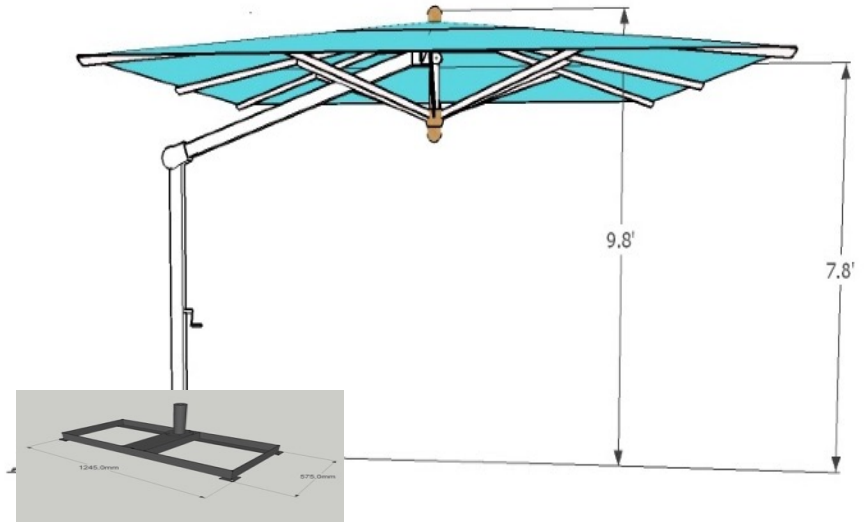
Ribs: 8 replaceable aluminum ribs measuring 1.4x0.8x0.07 inches.

Mechanism: 2 winch mechanisms internally one to raise umbrella canopy and the other to tilt the canopy.

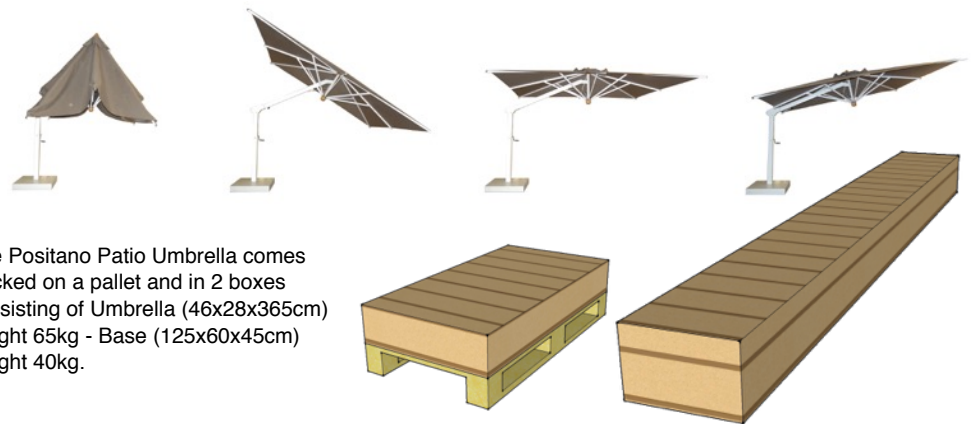
Canopy: 100% waterproof acrylic "Tempotest Fabric" with anti-mold treatment; fade resistant, water, oil and dirt repellent warranty for 5 years.

Vent: single vent canopy provides air passage allowing for more stability in heavier winds. Available with or without valance.

Weight: 110 approx.



	10x10	11.5x11.5	10x13
A	9.5'	9.5'	9.5'
B	7.7'	7.7'	7.7'
C	4.6'	3.2'	3'
D	11'	11'	11'
E	1'	1.8'	1'



The Positano Patio Umbrella comes Packed on a pallet and in 2 boxes consisting of Umbrella (46x28x365cm) weight 65kg - Base (125x60x45cm) weight 40kg.

All our Offset Patio Umbrellas come with a standard movable base where stones are required to keep the umbrella stable. Depending on the Patio Umbrella model a certain amount of weight is needed, please refer to your Offset Umbrella Specifications.

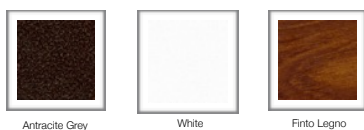
*Stones are not included but are readily available at home improvement stores such as Home Depot or Lowes.

Rain gutters can be used to provide continuous protection from rain or shine. They can connect several umbrellas together to form one large canopy, or they can connect one or multiple umbrellas to a building. Our gutters are conically manufactured, and when attached to the umbrella they provide a slight decline to ensure good drainage. Threaded aluminium pipes are inserted into the material sleeves and connected together to further improve drainage. The rain gutter is attached to the umbrellas roof support by snap hooks. Adding lights to the umbrellas increases the time that can be spent on the terraces enjoying the outdoors. The warm light provides an ambience that most people appreciate. We provide different types of lighting for our umbrellas based on your needs and effect desired.

Structure Colors



Canopy/Ribs Colors



Our structures are available in steel (black or white) or wood and our canopies and ribs are in aluminum and painted in anthracite grey or white. *they are also available in wood and in other optional colors

Our canopies are constructed of an Ecu color "Tempotest" acrylic marine fabric, the European equivalent to Sunbrella. Vents in the canopy allow for air passage and allow for more stability in heavier winds. All of these fabrics are fade resistant, water, oil, and dirt repellent. Tempotest fabric is 100% solution dyed acrylic fibre, breathable, extremely resistant, and suitable for awnings of large dimensions as well as for sails structures, marine applications and for large garden sunshades and are available in more than 200 colors.

