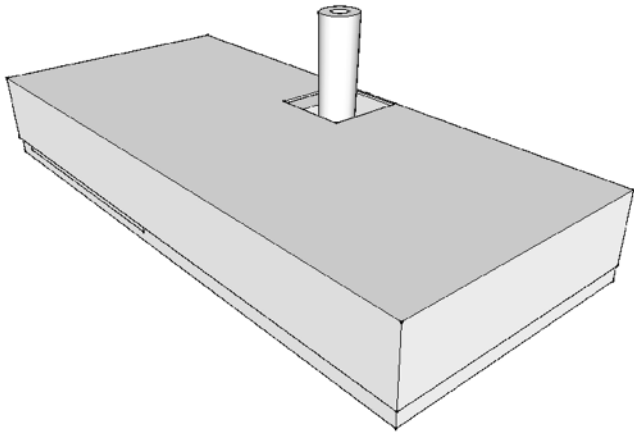


INSTALLATION INSTRUCTIONS POSITANO RETRACTABLE UMBRELLA



If included, place the cover base.



Insert the Umbrella in the tube, making sure that the blocking screw, at the bottom of the pole, opposed to the handle, is unscrewed.

OPENING

Before opening the umbrella, make sure the ribs are not tangled - free from the other ribs before to opening.
Insert the handle in the hole at the middle of the pole and turn clockwise "DOWN" to open.



IMPORTANT: IF THE HANDLE IS JAMMED OR BECOMES HARD TO ROTATE DURING THE OPENING OR CLOSING, TURN IT COUNTER CLOCKWISE AND TRY AGAIN

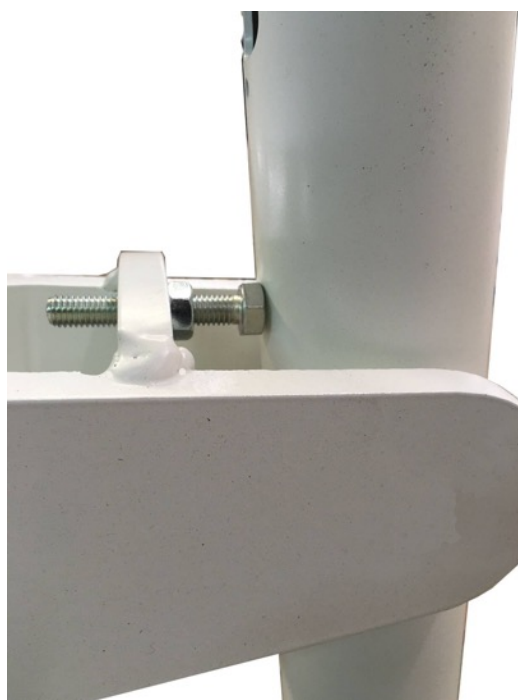
INSTALLATION INSTRUCTIONS POSITANO RETRACTABLE UMBRELLA

After opening the umbrella, you can block the rotation with the handle.

IMPORTANT: DO NOT USE THE UMBRELLA BEFORE TIGHTENING THE ANTI ROTATING SCREW.

TILTING ADJUSTMENT .

You can level the umbrella canopy operating on the adjustment screw that you will find in the joint between the arm and the pole near the umbrella hub.



IMPORTANT: OPERATE ON THE ADJUSTMENT SCREW ONLY WHEN THE UMBRELLA IS LIGHTLY CLOSED OR YOU CAN CAUSE DAMAGE TO THE OPENING SYSTEM